

# Compact Bodies T-8A Cavity

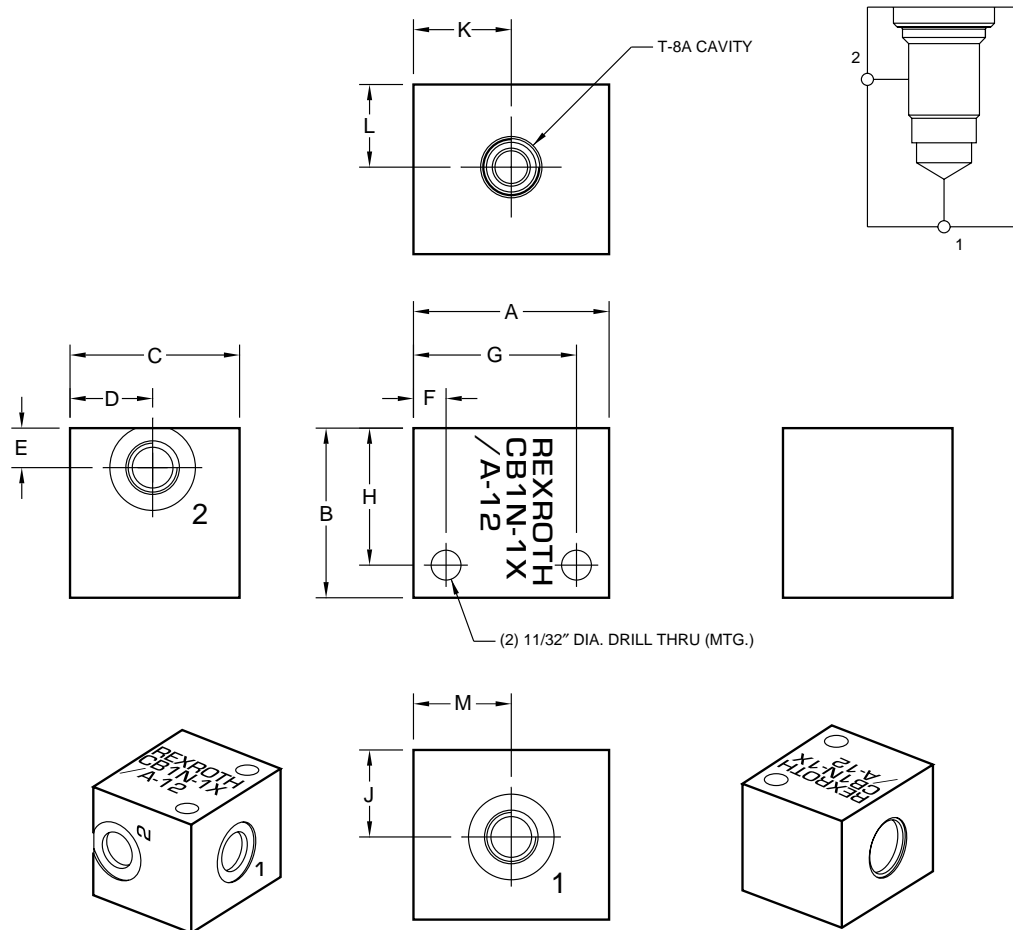
	<b>CB1</b>	<b>XX</b>	<b>/</b>	
<b>Flow</b>		= L		
Low		= N		
Normal				
<b>Revision</b>		= XX		

<b>12</b> =	SAE Threaded Ports
<b>05</b> =	NPT Threaded Ports
<b>01</b> =	BSP Threaded Ports

<b>A</b> =	Aluminum 6061-T6, 3000 psi
<b>D</b> =	Ductile Iron <sup>1</sup> 65-45-12, 5000 psi



Port type	1 & 2 Ports			Aluminum	Ductile
	12	05	01		
CB1L-1X/...	7/16-20 SAE-4	—	—	0.8	2.2
CB1N-1X/...	9/16-18 SAE-6	NPT 1/4"	G (BSP) 1/4"	0.8	2.2

Dimension	A	B	C	D	E	F	G	H	J	K	L	M
CB1...	2.25	1.95	1.95	0.95	0.45	0.38	1.88	1.58	1.00	1.13	0.95	1.13

All dimensions in inches