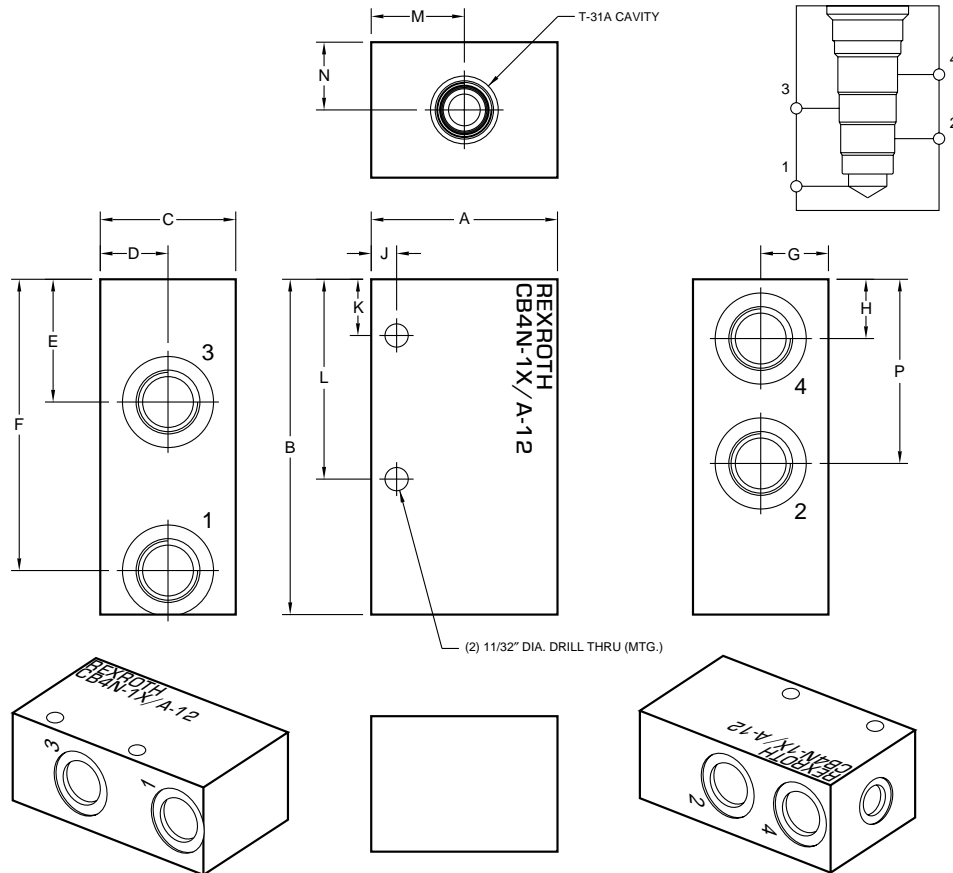


## Compact Bodies T-31A Cavity

<b>Flow</b>																			
Normal																			
High																			
Extra High																			
<b>Revision</b>																			



Port type	1, 2, 3, 4 Ports			Aluminum	Ductile
	12	05	01		
CB4N-1X/...	9/16-18 SAE-6	NPT 1/4"	G (BSP) 1/4"	2.6	7.0
CB4H-1X/...	3/4-16 SAE-8	NPT 3/8"	G (BSP) 3/8"	2.6	7.0
CB4H-1X/...	7/8-14 SAE-10	NPT 1/2"	G (BSP) 1/2"	2.6	7.0

Dimension	A	B	C	D	E	F	G	H	J	K	L	M	N	P
CB4...	2.75	4.95	1.95	1.00	1.81	4.30	1.00	0.88	0.38	0.83	2.95	1.38	1.00	2.72

All dimensions in inches