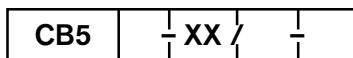


Compact Bodies T-162A Cavity



Flow
Low
Normal
High
Revision

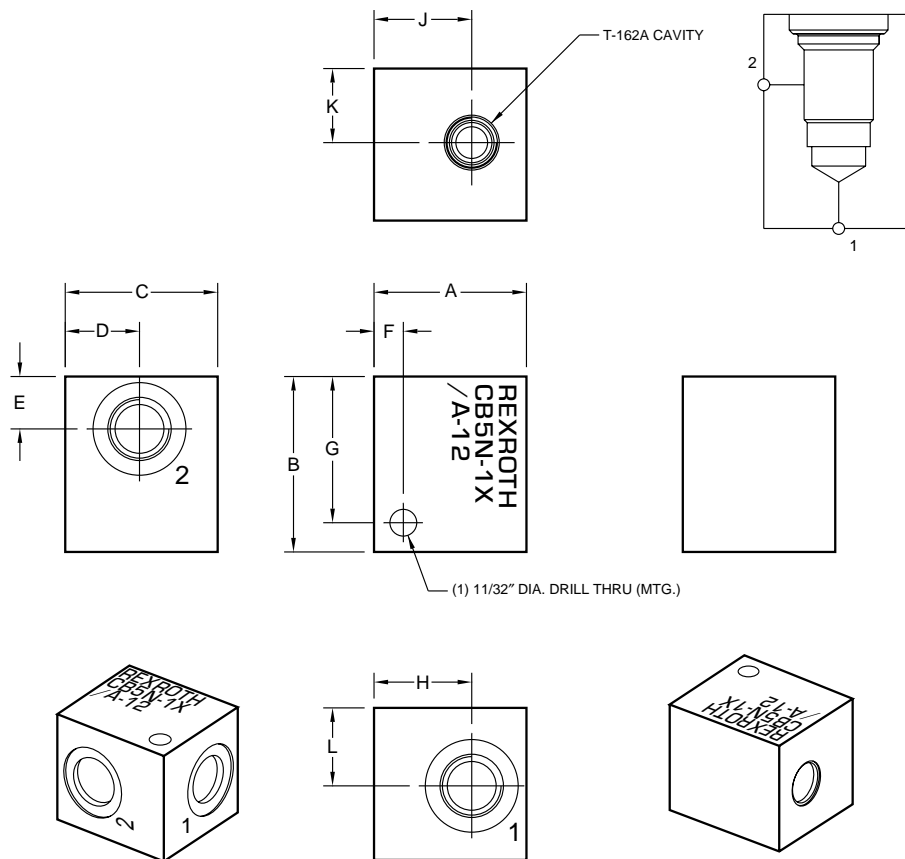
= L
= N
= H
= XX

12 =
05 =
01 =

A =
D =

Ports
SAE Threaded Ports
NPT Threaded Ports
BSP Threaded Ports

Material
Aluminum 6061-T6, 3000 psi
Ductile Iron¹ 65-45-12, 5000 psi



Port type	1 & 2 Ports			Aluminum	Ductile
	12	05	01		
CB5L-1X/...	7/16-20 SAE-4	—	—	0.8	2.2
CB5N-1X/...	9/16-18 SAE-6	NPT 1/4"	G (BSP) 1/4"	0.8	2.2
CB5H-1X/...	3/4-16 SAE-8	NPT 3/8"	G (BSP) 3/8"	0.8	2.2

Dimension	A	B	C	D	E	F	G	H	J	K	L
CB5...	1.95	2.25	1.95	0.95	0.87	0.38	1.88	1.25	1.25	0.95	1.00

All dimensions in inches