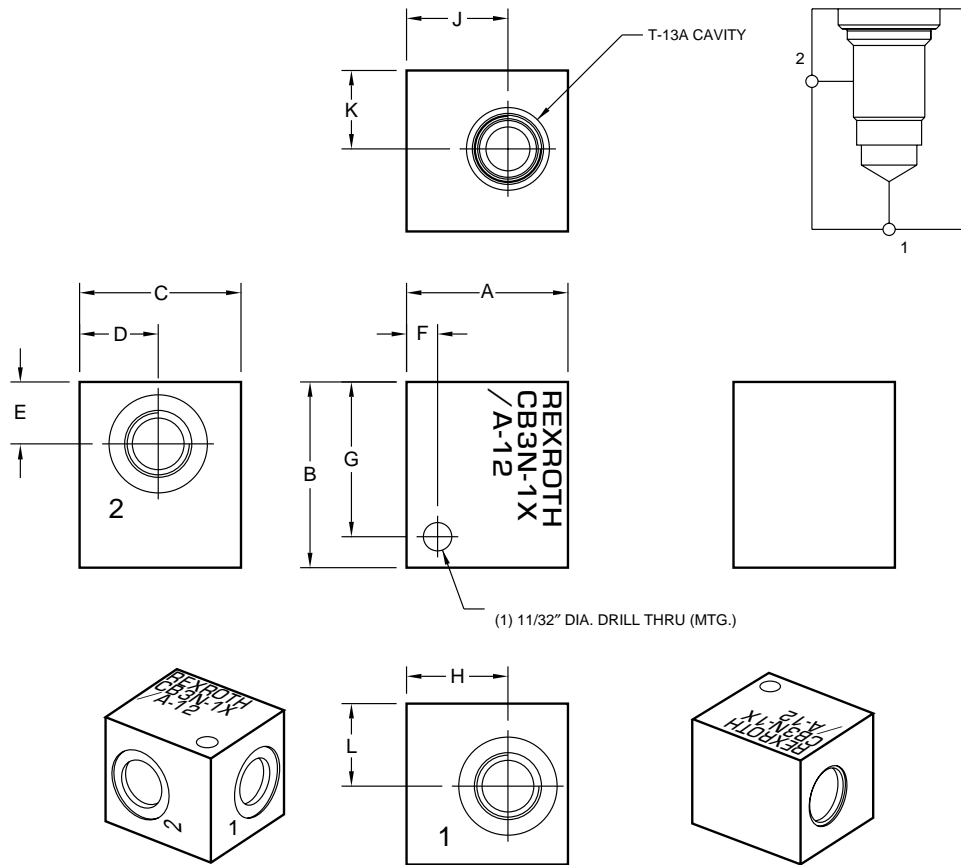


Compact Bodies T-13A Cavity

Flow				
Low	= L			
Normal	= N			
High	= H			
Revision		= XX		

Ports	
12 =	SAE Threaded Ports
05 =	NPT Threaded Ports
01 =	BSP Threaded Ports

Material	
A =	Aluminum 6061-T6, 3000 psi
D =	Ductile Iron ¹ 65-45-12, 5000 psi



Port type	1 & 2 Ports			Aluminum	Ductile
	12	05	01		
CB3L-1X/...	7/16-20 SAE-4	—	—	0.8	2.2
CB3N-1X/...	9/16-18 SAE-6	NPT 1/4"	G (BSP) 1/4"	0.8	2.2
CB3H-1X/...	3/4-16 SAE-8	NPT 3/8"	G (BSP) 3/8"	0.8	2.2

Dimension	A	B	C	D	E	F	G	H	J	K	L
CB3...	1.95	2.25	1.95	0.95	0.75	0.38	1.88	1.23	1.23	0.95	1.00

All dimensions in inches