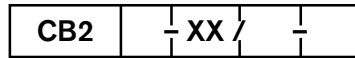


Compact Bodies T-11A Cavity



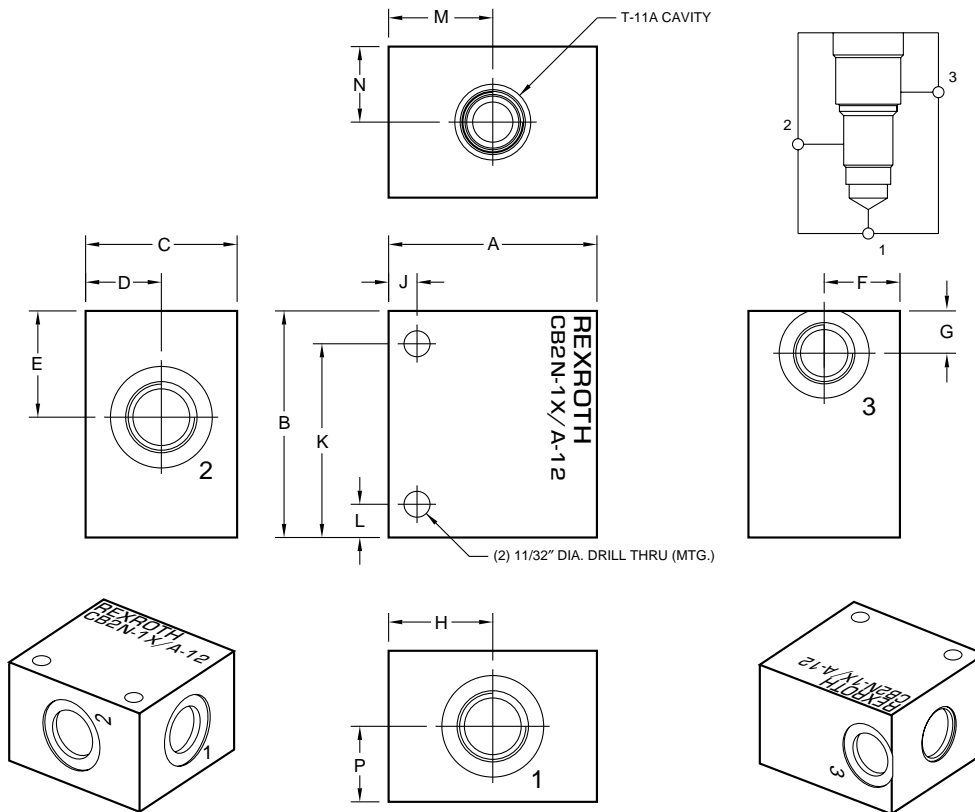
Flow
 Low = L
 Normal = N
 High = H
 Extra High = X
Revision = XX

12 =
 05 =
 01 =

Ports
 SAE Threaded Ports
 NPT Threaded Ports
 BSPP Threaded Ports

A =
 D =

Material
 Aluminum 6061-T6, 3000 psi
 Ductile Iron¹ 65-45-12, 5000 psi



Port type	1 & 2 Ports			3 Port			Aluminum	Ductile
	12	05	01	12	05	01		
CB2L-1X/...	7/16-20 SAE-4	—	—	7/16-20 SAE-4	—	—	1.6	4.2
CB2N-1X/...	9/16-18 SAE-6	NPT 1/4"	G (BSP) 1/4"	9/16-18 SAE-6	NPT 1/4"	G (BSP) 1/4"	1.6	4.2
CB2H-1X/...	3/4-16 SAE-8	NPT 3/8"	G (BSP) 3/8"	3/4-16 SAE-8	NPT 3/8"	G (BSP) 3/8"	1.6	4.2
CB2X-1X/...	7/8-14 SAE-10	NPT 1/2"	G (BSP) 1/2"	3/4-16 SAE-8	NPT 1/2"	G (BSP) 1/2"	1.6	4.2

Dimension	A	B	C	D	E	F	G	H	J	K	L	M	N	P
CB2...	2.75	2.95	1.95	1.00	1.41	1.00	0.56	1.38	0.38	2.57	0.44	1.38	1.00	1.00

All dimensions in inches