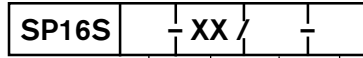


Subplates D07 (Size 16) Side-Ported



Flow
Normal
High

= N
= H

Revision

= XX

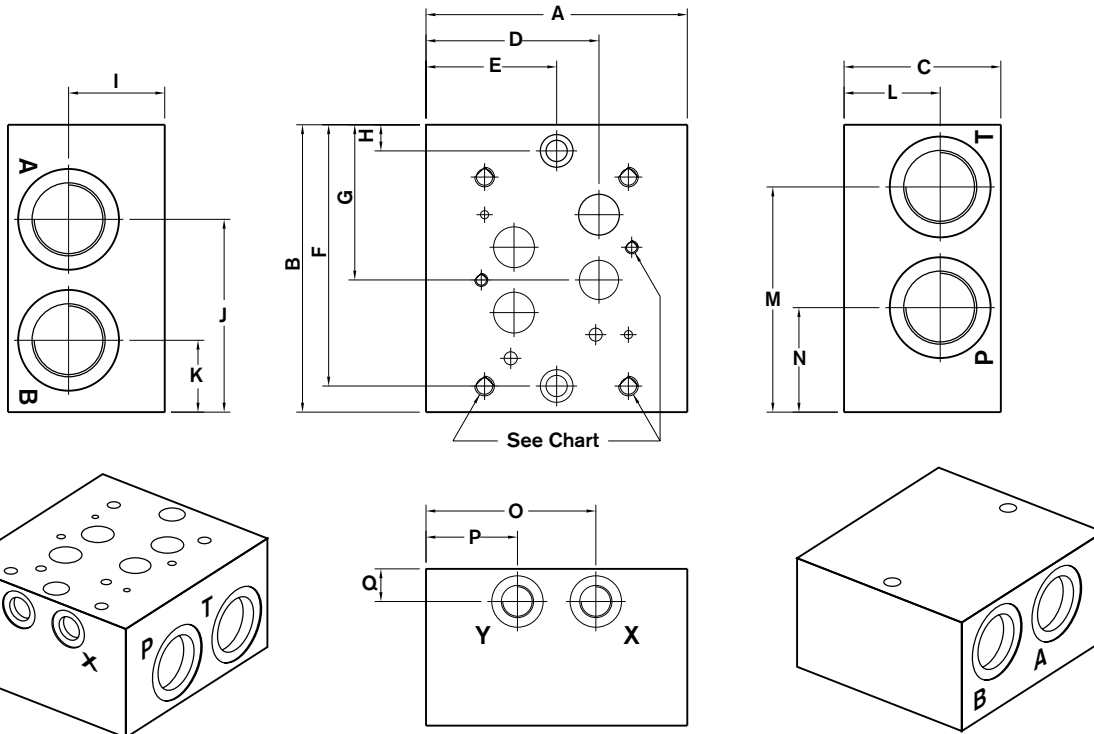
Material

Aluminum 6061-T6, 3000 psi
Ductile Iron¹ 65-45-12, 5000 psi

= A
= D

12 =
05 =
01 =

Ports
SAE Threaded Ports
NPT Threaded Ports
BSPP Threaded Ports



Model	Approx. Wt.	
	Alum.	Iron
SP16SN...	3.4	9.0
SP16SH...	8.1	21.4

Port type	Ports			X & Y Ports			Mounting Bolts			Valve Mtg		
	12	05	01	12	05	01	12	05	01	05 & 12	01	
SP16SN...	1-1/16-12 SAE-12	NPT 3/4"	G (BSP) 3/4"	9/16-18 SAE-6	NPT 1/4"	G (BSP) 1/4"	3/8-16 x 1.25 LG SHCS	3/8-16 x 1.25 LG SHCS	M10-1.5 x (35) LG SHCS	3/8-16 x 0.70 DP	M10-1.5 x (17.7) DP	
SP16SH...	1-5/16-12 SAE-16	NPT 1"	G (BSP) 1"	9/16-18 SAE-6	NPT 1/4"	G (BSP) 1/4"	3/8-16 x 3.00 LG SHCS	3/8-16 x 3.00 LG SHCS	M10-1.5 x (80) LG SHCS	1/4-20 x 0.70 DP	M6-1.0 x 15.2) DP	

Dimension	A	B	C	D	E	F	G	H	I	J	K	L	M	N	O	P	Q
SP16SN-1X/...	3.75	4.75	1.95	2.69	1.88	4.38	2.34	0.38	1.14	3.25	1.63	1.14	3.65	1.97	2.63	1.13	0.70
SP16SH-1X/...	5.00	5.50	3.00	3.31	2.50	5.00	2.97	0.50	1.84	3.69	1.38	1.84	4.31	2.00	3.25	1.75	0.63

All dimensions in inches