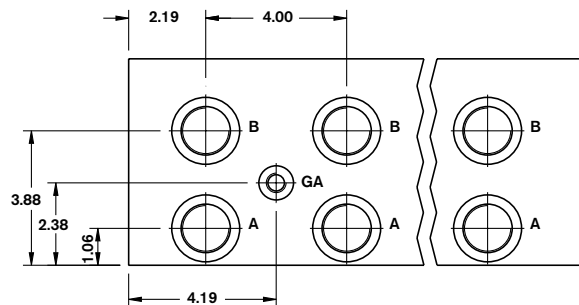
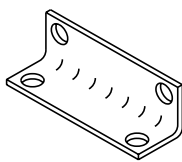
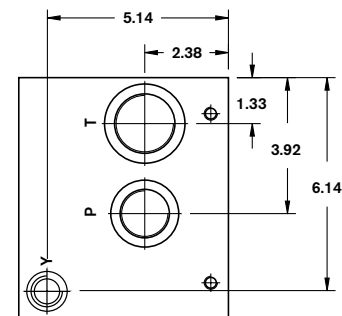
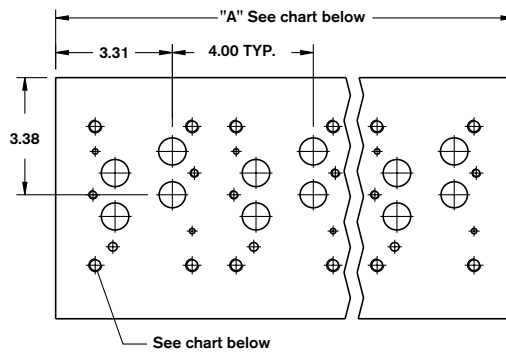
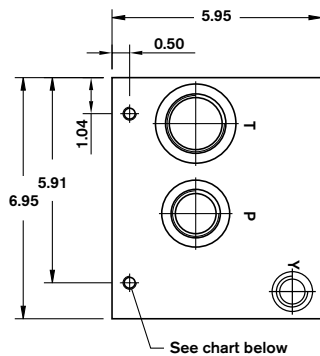
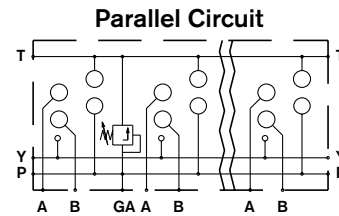
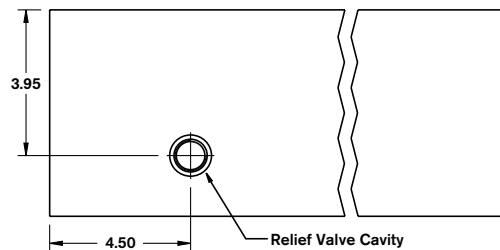
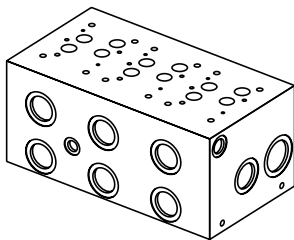


Bar Manifold D07 (Size 16) Parallel Circuit High Flow

BM16PH	XX	/	D	4	
--------	----	---	---	---	--

Revision	= XX	Omit =	No Options
Number of Station	= 01-06	RCI =	Relief Cavity Industry Common 16-2
Material	= D	RCS =	Relief Cavity Sun T-16A (P in nose)
Ductile Iron ¹ 65-45-12, 5000 psi		12 =	SAE Threaded Ports
Valve Spacing 4.0"	= 4	01 =	BSPP Threaded Ports



	T Port	P + A & B Ports	GA, X & Y Ports	Manifold (Mtg.)	Valve (Mtg.)
...12	1-5/8-12 SAE-20	1-5/16-12 SAE-16	9/16-18 SAE-6	3/8-16 x 0.75 DP.	3/8-16 x 0.70 DP. 1/4-20 x 0.75 DP.
...01	1-1/4" BSPP	1" BSPP	1/4" BSPP	M10 x 0.75 DP.	M10 x 0.70 DP. M6 x 0.75 DP.

Number of Stations	01 ²	02	03	04	05	06
Dim. "A"	5.00 ³	9.00	13.00	17.00	21.00	25.00
Approx. Weight DI (lbs)	54/70 ³	96	139	182	225	268

All dimensions in inches