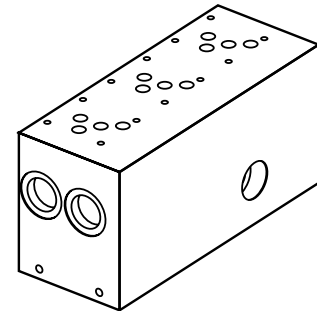
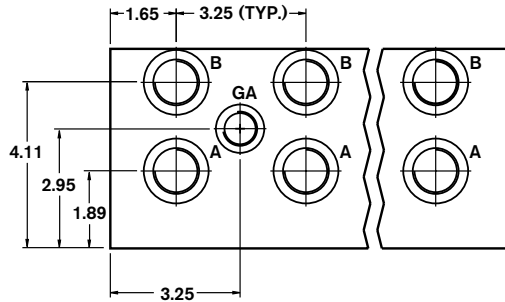
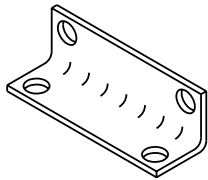
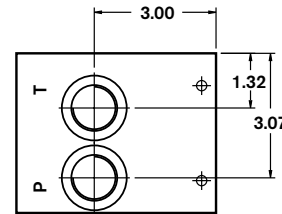
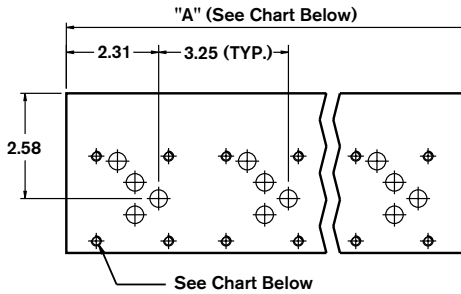
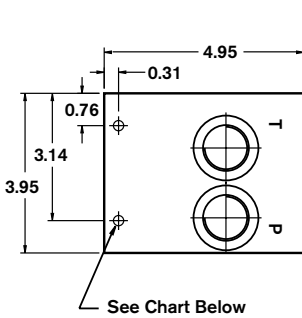
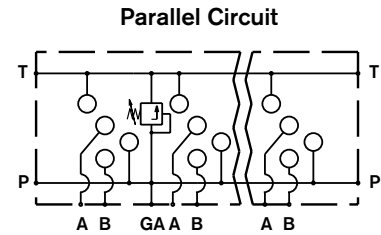
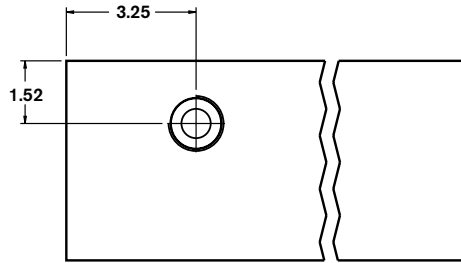
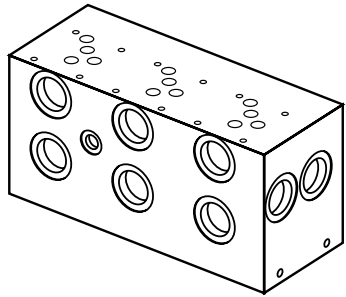


Bar Manifold

D05 (Size 10) Parallel Circuit Normal Flow with DBDS Cavity

BM10PN - XX / 3 - RCR

Revision	= XX	RCR =	Relief Cavity Rexroth DBDS10
Number of Station	= 01-07	12 =	SAE Threaded Ports
Material	= A	01 =	BSPP Threaded Ports
Aluminum 6061-T6, 3000 psi	= D		
Ductile Iron ¹ 65-45-12, 5000 psi			
Valve Spacing 3.25"	= 3		



	P & T Port	A & B Ports	GA Ports	Manifold (Mtg.)	Valve (Mtg.)
...12	1-1/16-12 SAE-12	1-1/16-12 SAE-12	9/16-18 SAE-6	5/16-18 x 0.65 DP.	1/4-20 x 0.60 DP.
...01	3/4" BSPP	3/4" BSPP	1/4" BSPP	M8 x 0.65 DP.	M6 x 0.60 DP.

Number of Stations	01	02	03	04	05	06	07
Dim. "A"	5.00	6.88	10.13	13.38	16.63	19.88	23.13
Approx. Weight AL (lbs)	10	13	20	24	32	39	45
Approx. Weight DI (lbs)	26	35	52	64	86	102	120

All dimensions in inches