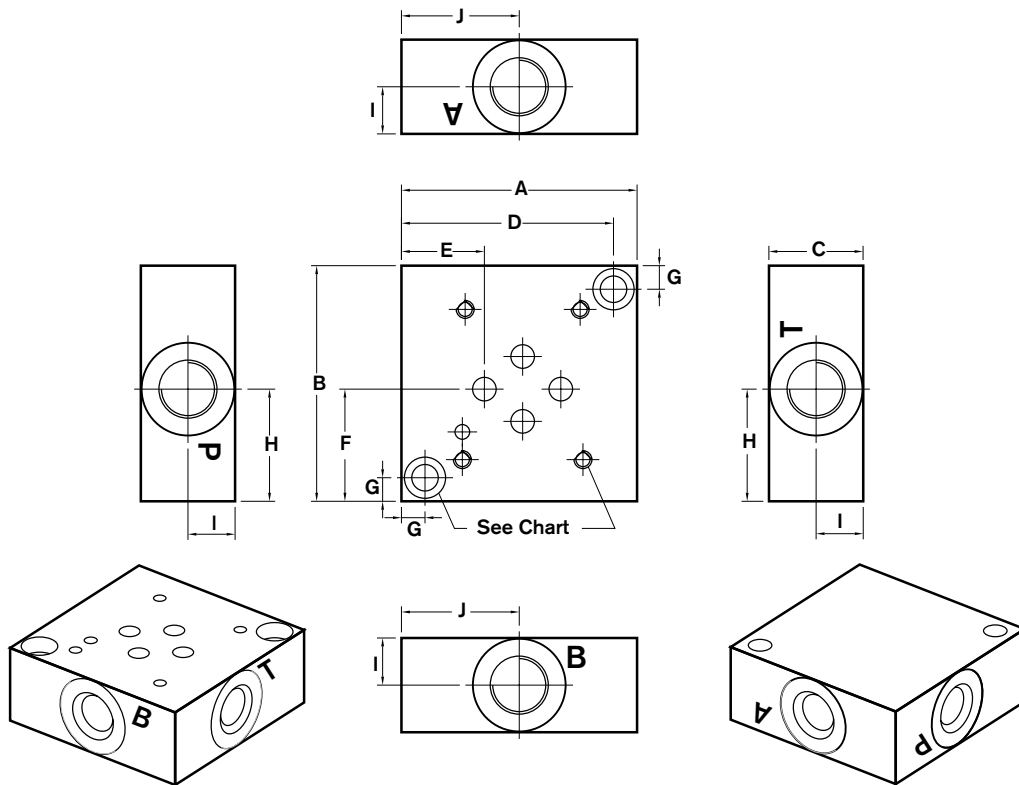


Subplates D03 (Size 6) Side-Ported

		SP6S / XX /			
Flow					
Normal	= N			12 =	Ports
High	= H			05 =	SAE Threaded Ports
Extra High	= X			01 =	NPT Threaded Ports
Revision	= XX				BSP Threaded Ports
				A =	Material
				D =	Aluminum 6061-T6, 3000 psi
					Ductile Iron ¹ 65-45-12, 5000 psi



Model	Approx. Wt.	
	Alum.	Iron
SP6SM-1X...	0.6	1.6
SP6SH-1X...	1.8	4.8
SP6SX-1X...	2.7	7.3

Port type	Ports			Mounting Bolts			Valve Mtg	
	12	05	01	12	05	01	05 & 12	01
SP6SN-1X/...	9/16-18 SAE-6	NPT 3/8"	G (BSP) 3/8"	1/4-20 x 1.00 LG SHCS	1/4-20 x 1.00 LG SHCS	M6-1.0 x (25) LG SHCS		
SP6SH-1X/...	3/4-16 SAE-8	NPT 1/2"	G (BSP) 1/2"	1/4-20 x 1.50 LG SHCS	1/4-20 x 1.50 LG SHCS	M6-1.0 x (40) LG SHCS	10-24 x 0.50 DP	M5-0.8 x (12.7) DP
SP6SX-1X/...	1-1/16-12 SAE-12	NPT 3/4"	G (BSP) 3/4"	3/8-16 x 1.75 LG SHCS	3/8-16 x 1.75 LG SHCS	M10-1.5 x (45) LG SHCS		

Dimension	A	B	C	D	E	F	G	H	I	J
SP6SN-1X/...	2.50	2.50	1.00	2.25	0.88	1.19	0.25	1.19	0.50	1.25
SP6SH-1X/...	3.50	3.50	1.50	3.25	1.37	1.69	0.25	1.69	0.75	1.75
SP6SX-1X/...	4.00	4.00	1.75	3.63	1.63	1.94	0.38	1.94	0.87	2.06

All dimensions in inches